






-  NYLON INSERT
-  SELF-LOCKING
-  FASTENERS

# BULLETIN



**PL** 505

Revised 406

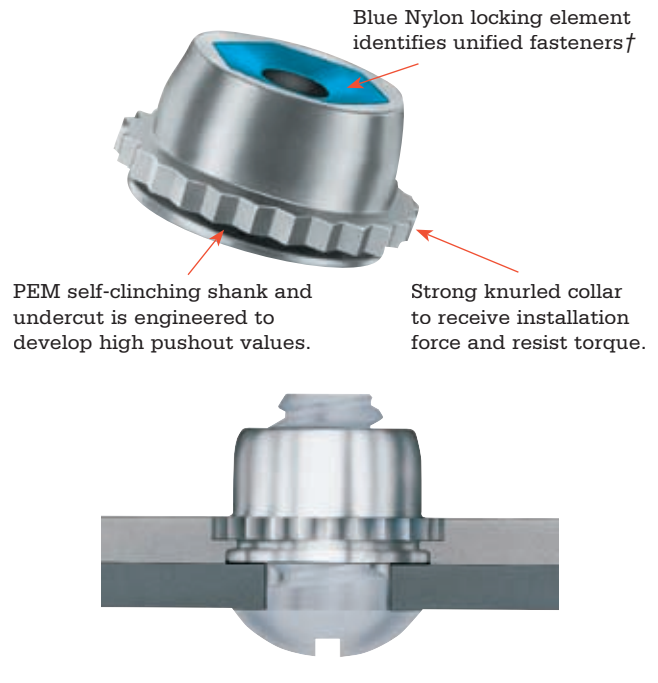
# SELF-LOCKING FASTENERS

## *Effective mounting for reusable locking threads.*

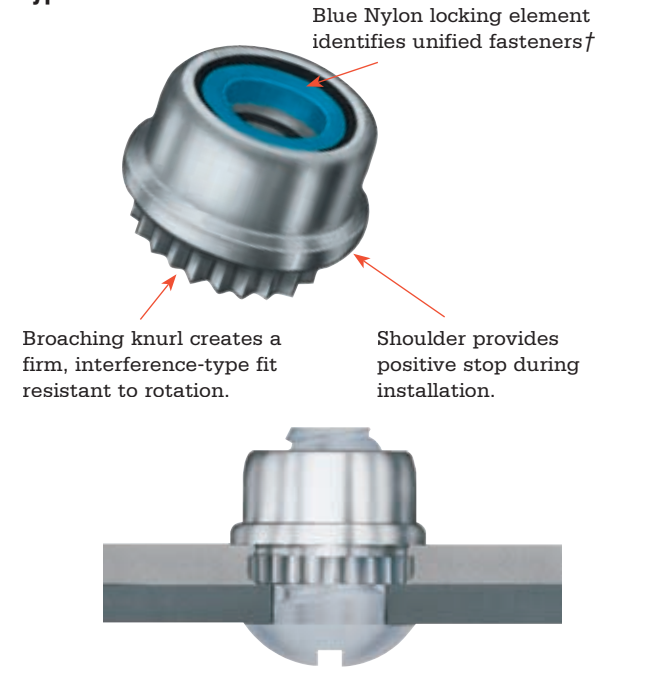
The thread locking performance of Type PL PEMHEX® self-clinching fastener meets the applicable standards of NASM25027. A nylon hexagonal element provides a reusable, non-metallic prevailing torque thread lock. The strong knurled collar receives the installation force and resists torque. The spin resistance of the knurl greatly exceeds the torque that can be exerted by the self-locking feature. As the knurled collar is embedded in the sheet, the undercut cavity beneath the collar is filled with displaced sheet material, thereby captivating the fastener in the sheet.

Type CFN broaching fasteners are available for thinner sheet, close-to-edge applications. The locking element provides prevailing torque to eliminate loosening of mating threaded hardware.

### Type PL

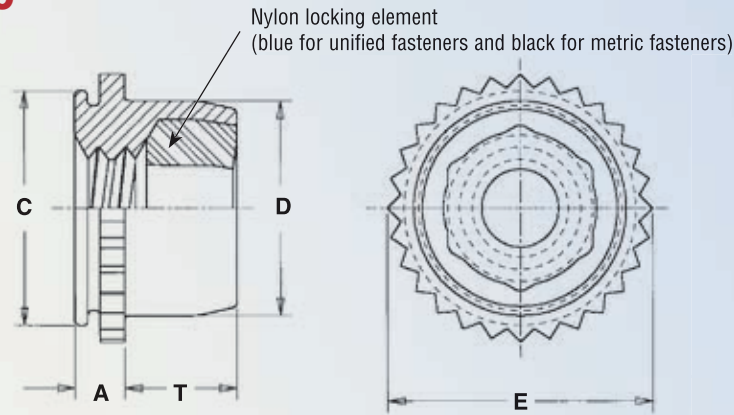


### Type CFN



† The color blue for fastener locking elements is a registered trademark. Unified fasteners have a blue nylon locking element and metric fasteners have a black nylon locking element.

# TYPES PL AND PLC



All dimensions are in inches.

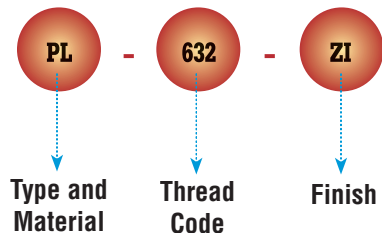
UNIFIED	Thread Size	Type		Thread Code	A (Shank) Max.	Sheet Thickness (1)	Hole Size In Sheet +.003 -.000	C Max.	D Max.	E Max.	T Max.	Min. Dist. Hole C/L To Edge	Max. Hole In Attached Parts
		Steel	Stainless Steel										
	.112-40 (#4-40)	PL	PLC	440	.060	.059-.070	.234	.233	.216	.28	.130	.17	.132
	.138-32 (#6-32)	PL	PLC	632	.060	.059-.070	.265	.264	.246	.31	.130	.19	.158
	.164-32 (#8-32)	PL	PLC	832	.060	.059-.070	.297	.296	.278	.34	.155	.22	.184
	.190-32 (#10-32)	PL	PLC	032	.060	.059-.070	.312	.311	.292	.35	.165	.25	.210

All dimensions are in millimeters.

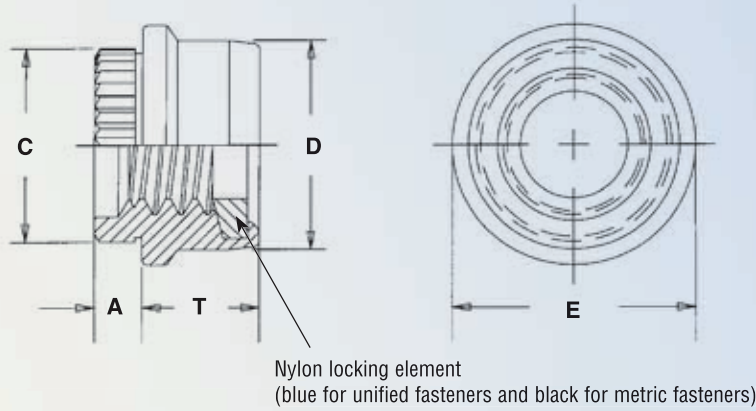
METRIC	Thread Size x Pitch	Type		Thread Code	A (Shank) Max.	Sheet Thickness (1)	Hole Size In Sheet +0.08	C Max.	D Max.	E Max.	T Max.	Min. Dist. Hole C/L To Edge	Max. Hole In Attached Parts
		Steel	Stainless Steel										
	M3 x 0.5	PL	PLC	M3	1.52	1.5-1.78	6	5.97	5.5	7.1	3.6	4.3	3.5
	M4 x 0.7	PL	PLC	M4	1.52	1.5-1.78	7.5	7.47	7	8.6	4.2	5.6	4.5
	M5 x 0.8	PL	PLC	M5	1.52	1.5-1.78	8	7.97	7.5	8.9	4.5	6.4	5.5

(1) Can be used in panel thickness of .040" to .059" / 1 mm to 1.5 mm provided the fastener is not fully installed. The knurled collar must be left protruding above the sheet to the degree that the sheet thickness is less than .059" / 1.5 mm. Knurled collar may fracture if fastener is used in sheets thicker than .070" / 1.7 mm and screw is tightened beyond maximum tightening torque.

## Type PL Part Number Designation



# TYPE CFN



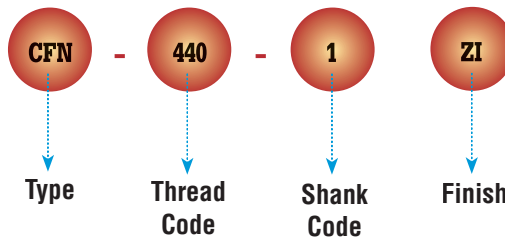
All dimensions are in inches.

UNIFIED	Thread Size	Type	Thread Code	Shank Code	A (Shank) ±.003	Min. Sheet Thickness	Hole Size In Sheet +.003 -.000	C ±.002	D ±.004	E +.001 -.004	T Max.	Min. Dist. Hole C/L To Edge
	.112-40 (#4-40)	CFN	440	1	.040	.043	.152	.162	.175	.203	.104	.115

All dimensions are in millimeters.

METRIC	Thread Size x Pitch	Type	Thread Code	Shank Code	A (Shank) ±0.08	Min. Sheet Thickness	Hole Size In Sheet +0.08	C ±0.05	D ±0.1	E +0.03 -0.1	T Max.	Min. Dist. Hole C/L To Edge
	M3 x 0.5	CFN	M3	1	1.02	1.1	3.86	4.11	4.45	5.16	2.65	2.92

## Type CFN Part Number Designation



# MATERIAL & FINISH SPECIFICATIONS

Type	Threads	Thread Locking Performance	Temperature Limit	Fastener Material				Standard Finishes		Optional Finish	For Use in Sheet Hardness:	
				Heat-treated Carbon Steel	Carbon Steel	300 Series Stainless Steel	Locking Element: Blue or Black Nylon	Zinc Per ASTM B 633 SC1 (5µm), Type III Colorless	Passivated and / or Tested Per ASTM A380		Zinc Per ASTM B 633 SC1 (5µm), Type II Yellow	60 or Less on the Rockwell "B" Scale
PL	•	•	•	•			•	•		•		•
PLC	•	•	•			•	•		•			•
CFN	•	(1)	•		•		•	•		•	•	
Part Number Code For Finishes								ZI	None	ZC		

(1) See Performance Data chart for Type CFN on page PL-6.

## INSTALLATION

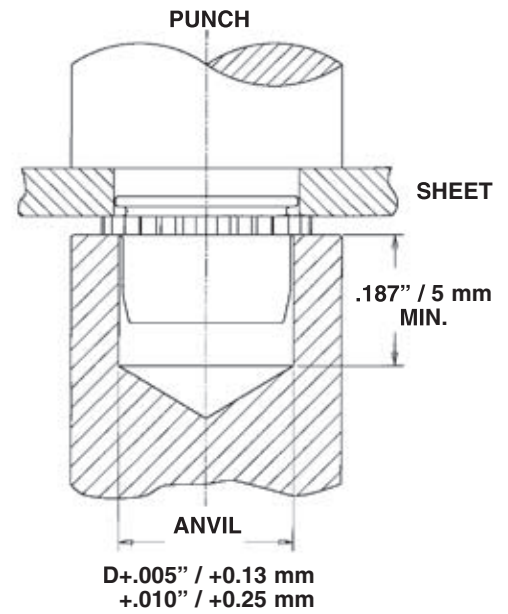
1. Punch or drill the properly sized mounting hole in the sheet. Do not perform any secondary operations such as deburring.
2. Insert fastener into the anvil hole and place the mounting hole over the shank of fastener as shown in drawing.
3. With the punch and anvil surfaces parallel, apply a squeezing force. For PL, apply force until the knurled collar is flush with the top sheet for sheets  $.060'' / 1.5$  mm thick and up, or until the shank is flush with the bottom of the sheet for sheets  $.040'' / 1$  mm to  $.060'' / 1.5$  mm thick. For CFN, apply squeezing force until the shoulder of the fastener contacts the sheet.

When it is necessary to install a Type PL fastener in a sheet whose thickness is less than the "A" dimension of the fastener, instead of flushing off the top of the knurled collar and the top surface of the sheet, bring the bottom of the fastener shank smooth with the underside of the sheet. When this method is used, care must be taken to protect the fastener against crushing which would damage the threads. This method will also result in reduced pushout and torque-out values.

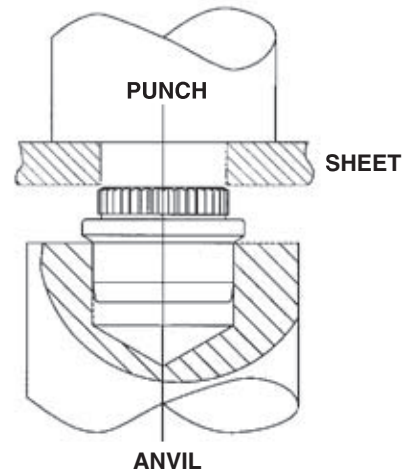
### PEMSERTER® PRESSES

For best results we recommend using a PEMSERTER® press for either manual or automatic installation of PEM PL, PLC, and CFN fasteners. For more information on our line of presses call 1-800-523-5321 (USA only).

### Type PL



### Type CFN





# PERFORMANCE DATA<sup>(1)</sup>

## For Types PL and PLC

UNIFIED	Thread Code	Max. Rec. Tightening Torque (in. lbs.)	(2) Locking Torque (in. lbs.)	Test Sheet Material											
				.060" 5052-H34 Aluminum			.040" 5052-H34 Aluminum			.060" Cold-rolled Steel			.048" Cold-rolled Steel		
				Installation (lbs.)	Pushout (lbs.)	Torque-out (in. lbs.)	Installation (lbs.)	Pushout (lbs.)	Torque-out (in. lbs.)	Installation (lbs.)	Pushout (lbs.)	Torque-out (in. lbs.)	Installation (lbs.)	Pushout (lbs.)	Torque-out (in. lbs.)
				440	9.3	.5 to 5	2000	225	20	1500	160	20	3000	260	20
632	12.9	1 to 10	2000	285	30	1500	180	25	3000	290	30	3000	270	30	
832	19.1	1.5 to 15	2000	290	60	1500	180	28	3000	290	60	3000	270	60	
032	26.0	2 to 18	2000	300	70	1500	180	40	3000	350	70	3000	310	70	

METRIC	Thread Code	Max. Rec. Tightening Torque (N • m)	(2) Locking Torque (N•m)	Test Sheet Material											
				1.5 mm 5052-H34 Aluminum			1 mm 5052-H34 Aluminum			1.5 mm Cold-rolled Steel			1.2 mm Cold-rolled Steel		
				Installation (kN)	Pushout (N)	Torque-out (N • m)	Installation (kN)	Pushout (N)	Torque-out (N • m)	Installation (kN)	Pushout (N)	Torque-out (N • m)	Installation (kN)	Pushout (N)	Torque-out (N • m)
				M3	1.13	.056 to .56	8.9	1000	2.25	6.67	710	2.25	13.34	1156	2.25
M4	2.3	.169 to 1.69	8.9	1290	6.77	6.67	800	3.16	13.34	1290	6.77	13.34	1200	6.77	
M5	3.12	.226 to 2.03	8.9	1330	7.9	6.67	800	4.51	13.34	1557	7.9	13.34	1380	7.9	

## For Type CFN

UNIFIED	Thread Code	Max. Rec. Tightening Torque (in. lbs.)	Max. Run-in Torque For 3 Full Turn (in. lbs.)	Min. Breakaway Torque (in. lbs.)	Test Sheet Material		
					.040" Cold-rolled Steel		
					Installation (lbs.)	Pushout (lbs.)	Torque-out (in. lbs.)
440	5	3	0.38	1000	10	4	

METRIC	Thread Code	Max. Rec. Tightening Torque (N•m)	Max. Run-in Torque For 3 Full Turn (N•m)	Min. Breakaway Torque (N•m)	Test Sheet Material		
					1 mm Cold-rolled Steel		
					Installation (kN)	Pushout (N)	Torque-out (N•m)
M3	0.75	0.339	0.042	4.45	44.5	0.45	

(1) The installation, pushout and torque-out values reported are averages when all installation specifications and procedures are followed. Variations in mounting hole size, sheet material, and installation procedure will affect this data. Performance testing of this product in your application is recommended. We will be happy to provide samples for this purpose.

(2) The maximum locking torque and the minimum breakaway will fall within these values for fifteen cycles when tested in accordance with the locking torque test procedure specified in NASM25027.

RoHS compliance information can be found on our website.

Specifications subject to change without notice.  
Check our website for the most current version of this bulletin.

PennEngineering®



North America: Danboro, PA 18916 USA • E-mail: info@pemnet.com • Tel: +1-215-766-8853 • Fax: +1-215-766-0143 • 800-237-4736 (USA Only)  
U.K. And Europe: Doncaster, England • E-mail: uk@pemnet.com Tel: +44 (0)1302 765700 • Fax: +44 (0)1302 367580  
Asia/Pacific: Singapore • E-mail: singapore@pemnet.com • Tel: +65-6-745-0660 • Fax: +65-6-745-2400  
Shanghai, China • E-mail: china@pemnet.com • Tel: +86-21-5868-3688 • Fax: +86-21-5868-3988

Visit our PEMNET™ Resource Center at [www.pemnet.com](http://www.pemnet.com)

CAGE-46384